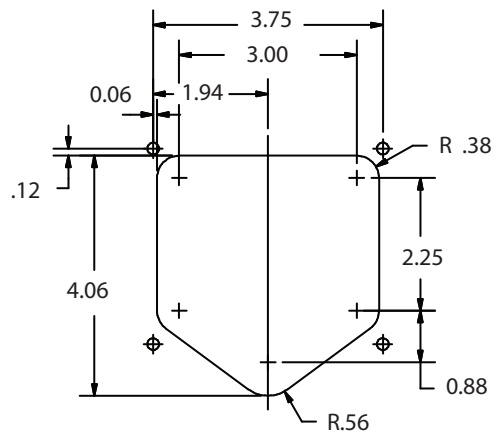
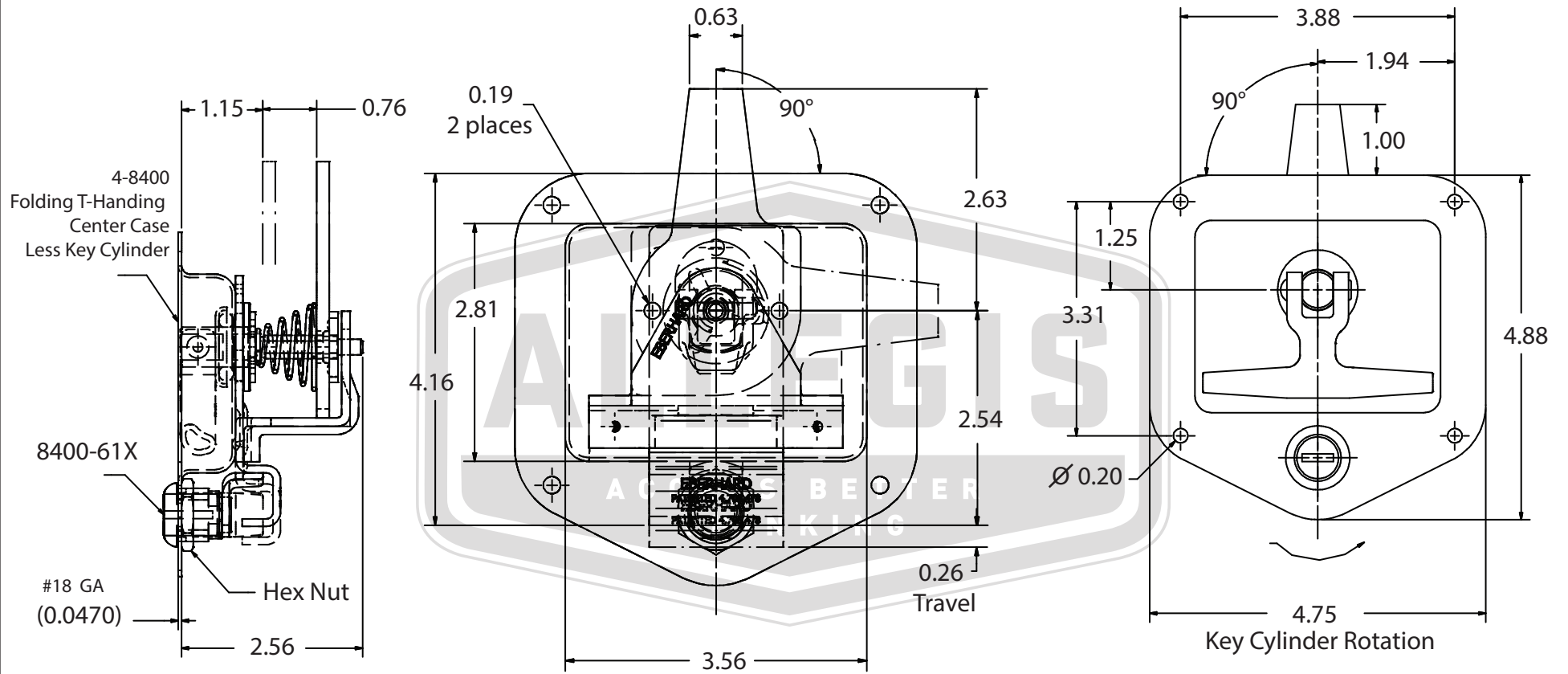


APPROVAL - CUSTOMER NAME & SIGNATURE

DATE



<b>ALLEGIS</b>		1-866-378-7550
MATERIAL: Zinc	DRAWING NO. : 4-8400 ZN RH	
FINISH:		
REV. : 1:2	DATE: 6/12/2019	

Optional gasket available  
 Order P/N: 16553  
 Material: EPDM closed cell sponge  
 Thickness: 0.19  
 Color: Black